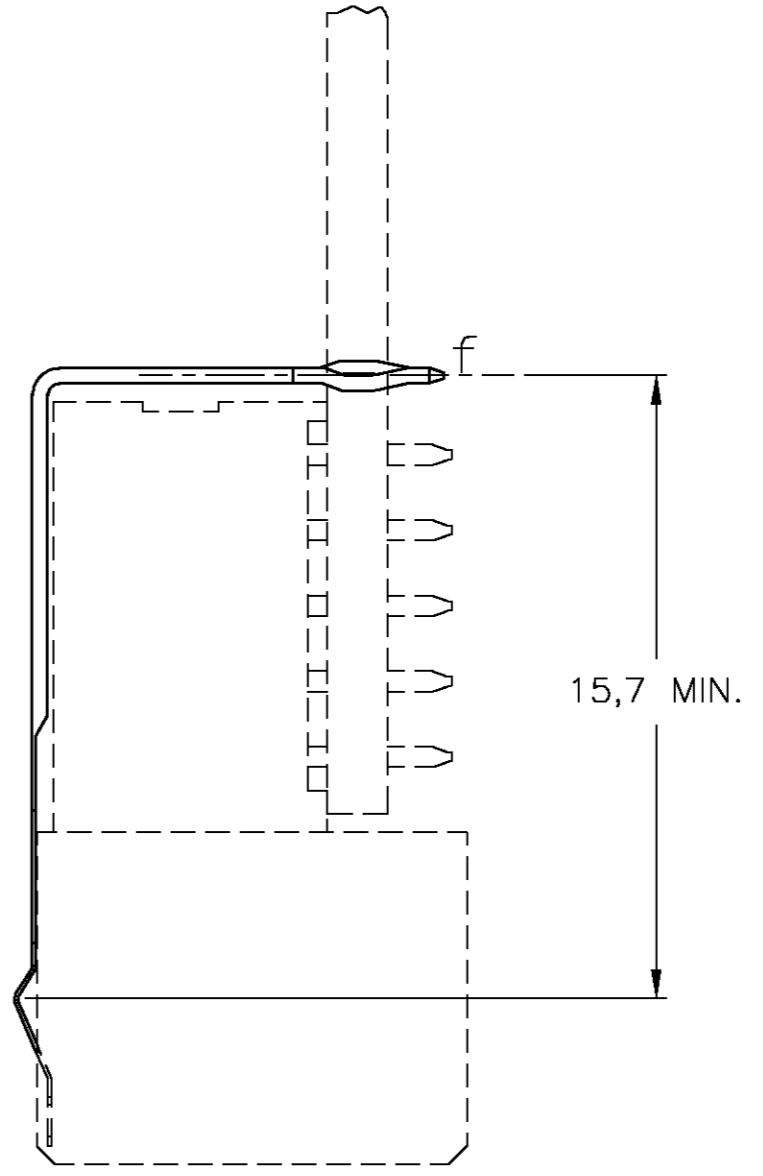
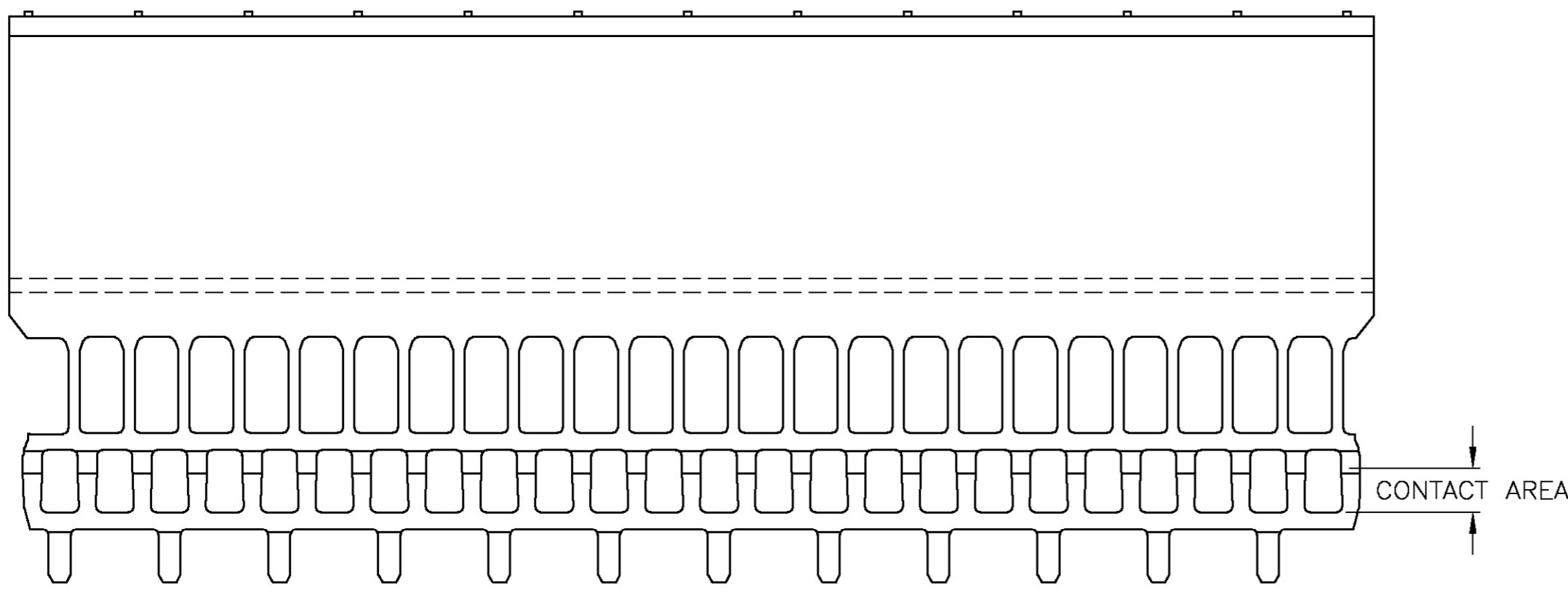
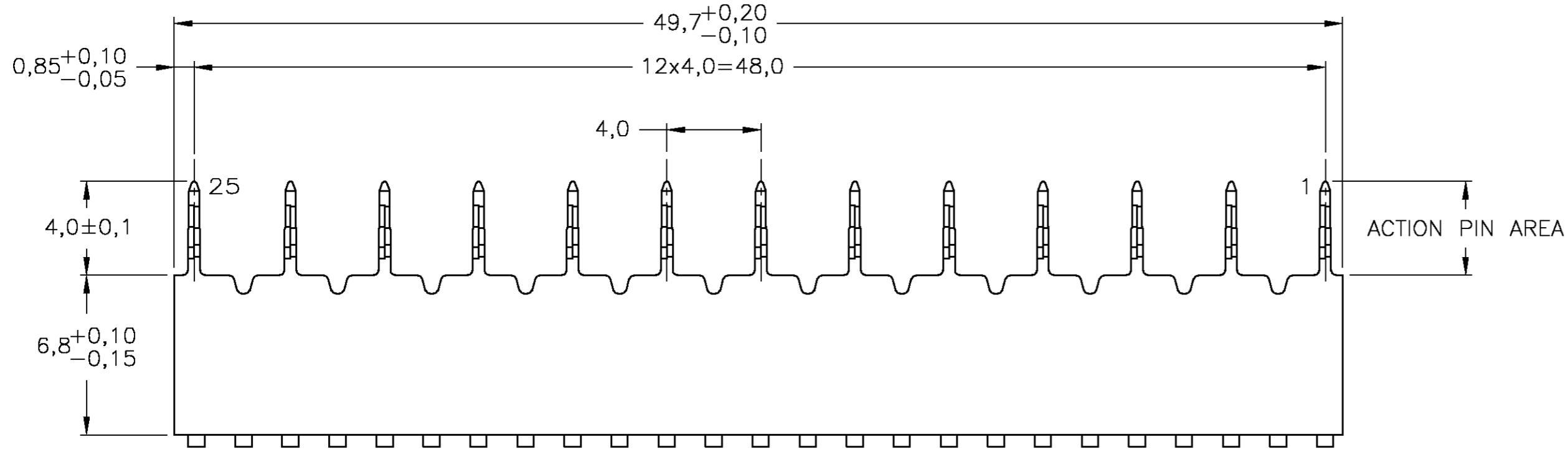


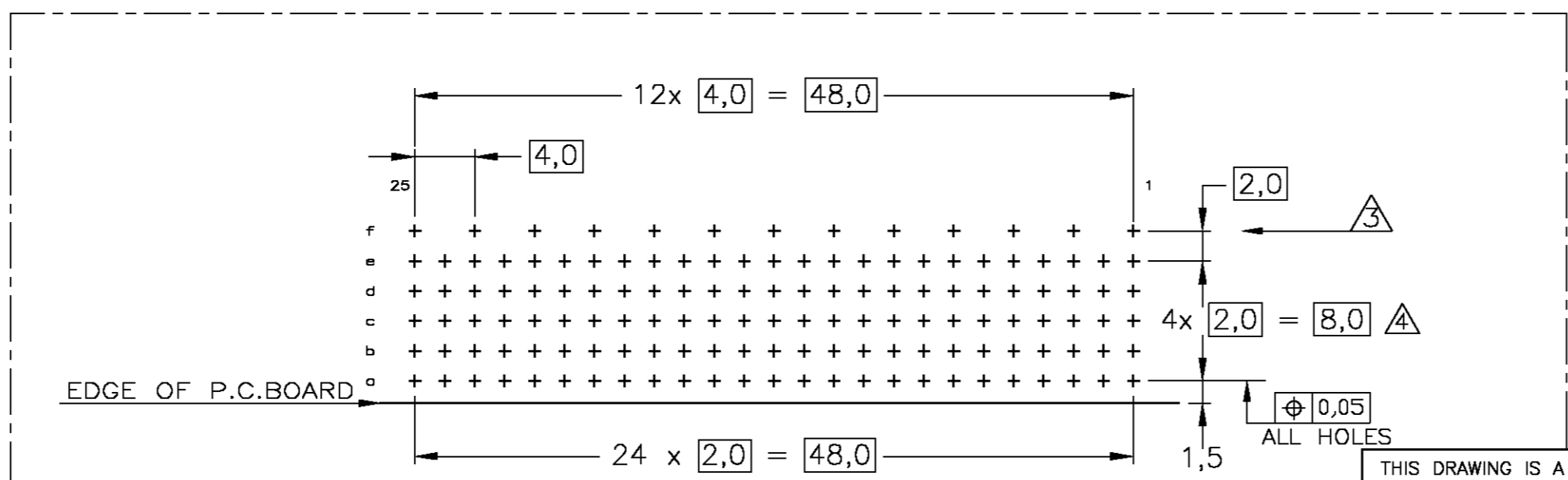
THIS DRAWING IS UNPUBLISHED. RELEASED FOR PUBLICATION
 © COPYRIGHT BY TYCO ELECTRONICS CORPORATION. ALL RIGHTS RESERVED.

LOC		DIST		REVISIONS			
P	LTR	DESCRIPTION	DATE	DWN	APVD		
F		ECR-05-005975	30-JUN-05	BM	JB		



NOTES:

- ⚠️ PLATING:
 CONTACT AREA: 0,76µm Au MIN. OVER 1,27µm Ni MIN.
 ACTION PIN : 0,5µm SnPb MIN.
 REMAINDER : Ni
 - ⚠️ MATERIAL; PHOSPHORBRONZE.
 - ⚠️ ROW "f" 13 PLATED THROUGH HOLES FOR UPPERSHIELD
 - ⚠️ HOLE PATTERN FOR FEMALE CONNECTOR TYPE B-25 COLUMNS
 125 PLATED-THROUGH HOLES AT 2x2mm SQUARE GRID
 - ⚠️ SHIELD LUBRICATED WITH BELLCORE APPROVED LUBRICANT.
- TECHNICAL REF: TR-NWT-001217 ISSUE 1, SEPT. 1992.



COMPONENT SIDE AS SHOWN
 RECOMMENDED PCB-HOLE LAY-OUT

P.C.B. HOLE DIM. ACTION PIN
 FOR DETAILS SEE
 APPLICATION SPECIFICATION

THIS DRAWING IS A CONTROLLED DOCUMENT.		DWN D. TRUREN 28-11-96	Tyco Electronics Corporation 's-Hertogenbosch, 5222AR-32	
DIMENSIONS: mm		CHK W. v.d. HEIJDEN 28-11-96	NAME Z-PACK 2mm HM GROUND RETURN UPPER SHIELD TYPE B-25 COLUMNS	
TOLERANCES UNLESS OTHERWISE SPECIFIED:		APVD F. v. KONINGSBRUGGE	PRODUCT SPEC 108-19082	RESTRICTED TO -
MATERIAL		APPLICATION SPEC 114-19029	WEIGHT -	SIZE A2
FINISH		FINISH	SCALE 5:1	SHEET 1 OF 1
		CUSTOMER DRAWING	SCALE 5:1	REV F